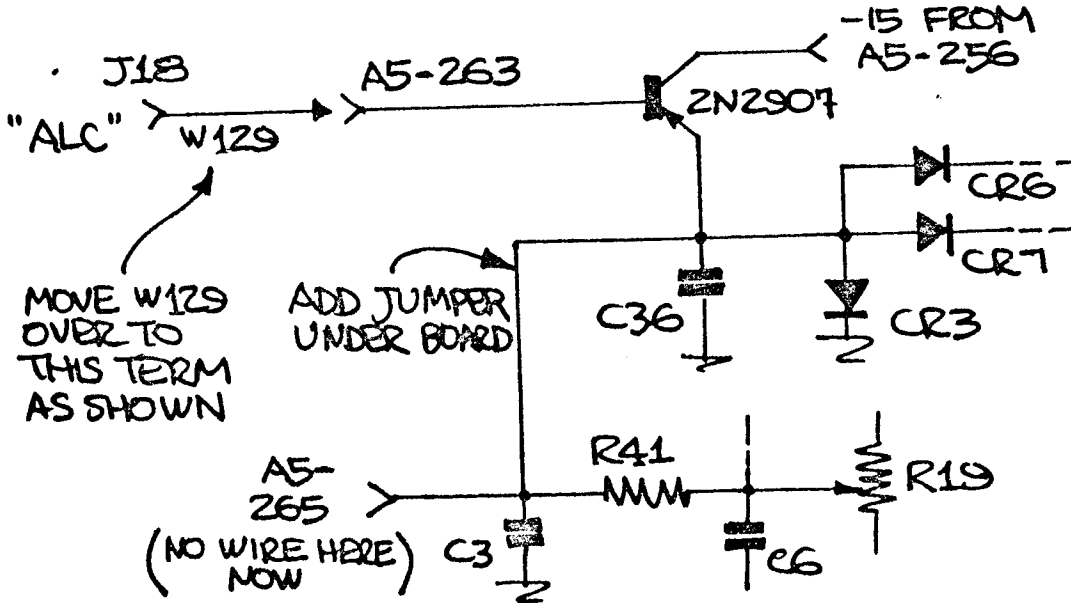
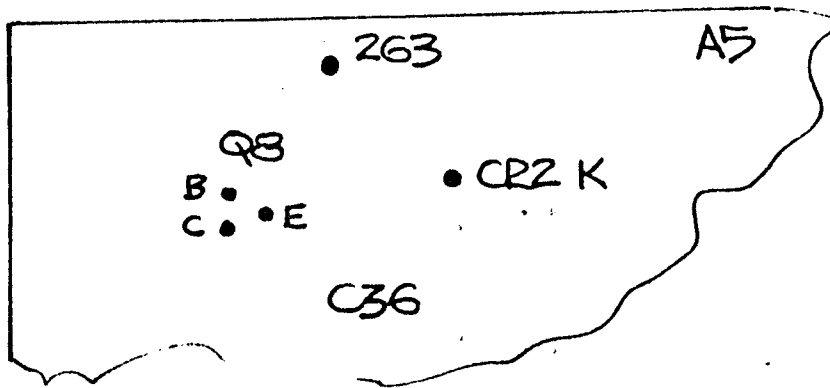


The following modification (by K6BE) will allow the use of ALC when the external amplifier ALC is a hi-Z circuit:



1. Clip out and discard W#127. Add a jumper as shown above
2. Remove CR2. (See S/1 NEWS, Volume III, Number 3)
3. Clear foil, drill #54, use Berg pins to mount Q8 as shown below



THE FOLLOWING SUBSCRIPTIONS ARE DUE: WA1USZ, LA7LJ, W2JOJ, DK4BZ, VE3FG, W6CPL, F9IV, WA6GDW, W2SKE/3, Rathburn.

S/1 NEWS IS PUBLISHED MONTHLY BY BOB SULLIVAN, W4YVA/N4RS, POBOX 6216, WASHINGTON, VA., 22206. SUBSCRIPTION RATE IS \$6.00 PER YEAR AND FOREIGN BY AIRMAIL IS \$16.00 PER YEAR.

PROBLEM: PTO Backlash

SOLUTION: (By W4WD) Open the PTO assembly and inspect the metal bushing that runs on the lead screw. It is possible that this bushing has broken loose from the ceramic part that draws the iron slug in and out of the coil. A couple of drops of "super glue" will solve this problem nicely!

W5GEL suggests checking zener diode CR12 on the I.F. board if you are experiencing AGC problems. It is possible that it is wired in backwards!

W9XX highly recommends the modification concerning the use of an IC regulator for the +34 volt supply .. he says it made considerable difference in the rig. (See previous issues of S/1 NEWS for this modification .. two versions .. ed)

W8KCY has the following information concerning the availability of certain components utilized in the CX7's:

1. 2N5183's, 2N5184's, 2N5187's at 0.80, \$1.40, and \$1.25 respectively are available from Hanifin Electronics Corp., P. O. Box 188, Bridgeport, Penna., 19405
2. CA3028A's at \$1.77 and CA3028B's at \$2.50 are available from Circuit Specialists Co., P. O. Box 3047, Scottsdale, Az., 85257
3. 8072's are listed by Newark Electronics (500 N. Pulaski Rd., Chicago, Ill., 60624) at \$38.50. (This info requested by W1WKJ)

Modification (K6BE) to improve AGC action and provide for ease of adjustment:

Replace R51 (AGC Board, A9) with a Bourns type 3386T-1-202 2Kohm trimmer in series with 5.6K/1/4-watt and adjust the trimmer for 2.0 volts at pin 509 (F.E. AGC) with AGC OFF. Now refer to manual and adjust R26. The trimmer and 5.6K resistor may be mounted with epoxy

I WOULD LIKE TO MAKE ANOTHER PLEA FOR INFORMATION RELATIVE TO S/1 TROUBLE-SHOOTING AND OPERATION AS WELL AS MODIFICATIONS. I NEED COPY FOR THE NEWSLETTER. TAKE A MINUTE TO DROP ME A LINE .. YOUR INFORMATION AND OR EXPERIENCE MAY WELL BE JUST WHAT ANOTHER READER REQUIRES! ed.

FOR SALE: Original nixie tube counter board. Ready to plug in and use.
\$10. W9XX, Phil Howlett, 4012 Carmelita Blvd., Kokomo, Ind., 46901.

FOR SALE OR TRADE: 1200 Hz Filter, Greg, N4CC, Route 6, Box 262,
Inman, S.C., 29349

HINT: (from W9XX) The problem of the zero settings of the IF
shift and R46 on transmit drifting was cured by changing to the
3-terminal power supply regulators (previously described in
the newsletter)

WANTED: Matching speaker for CX7A. Brent D. Ewing, VE7BD, 5032 Wesley Road,
Victoria, B.C., Canada