

+1500VDC.

- NOTES:
1. UNLESS OTHERWISE SPECIFIED, ALL DECIMAL VALUE CAPACITORS ARE IN UF.
 2. ALL UNMARKED RESISTORS ARE 1/4 WATT.
 3. ALL COMPONENTS SHOWN EXTERNAL TO BOARD ARE FOR REF. ONLY.
 - * 4. PARTS ADDED TO MODIFICATION AND PRODUCTION RADIOS TO ELIMINATE POWER SUPPLY TRANSIENTS.
 - ** 5. SEE FIG. 6-4A FOR POWER SUPPLY BOARD UTILIZING MOTOROLA MFC-9020-244 INTEGRATED CIRCUIT CHIP.

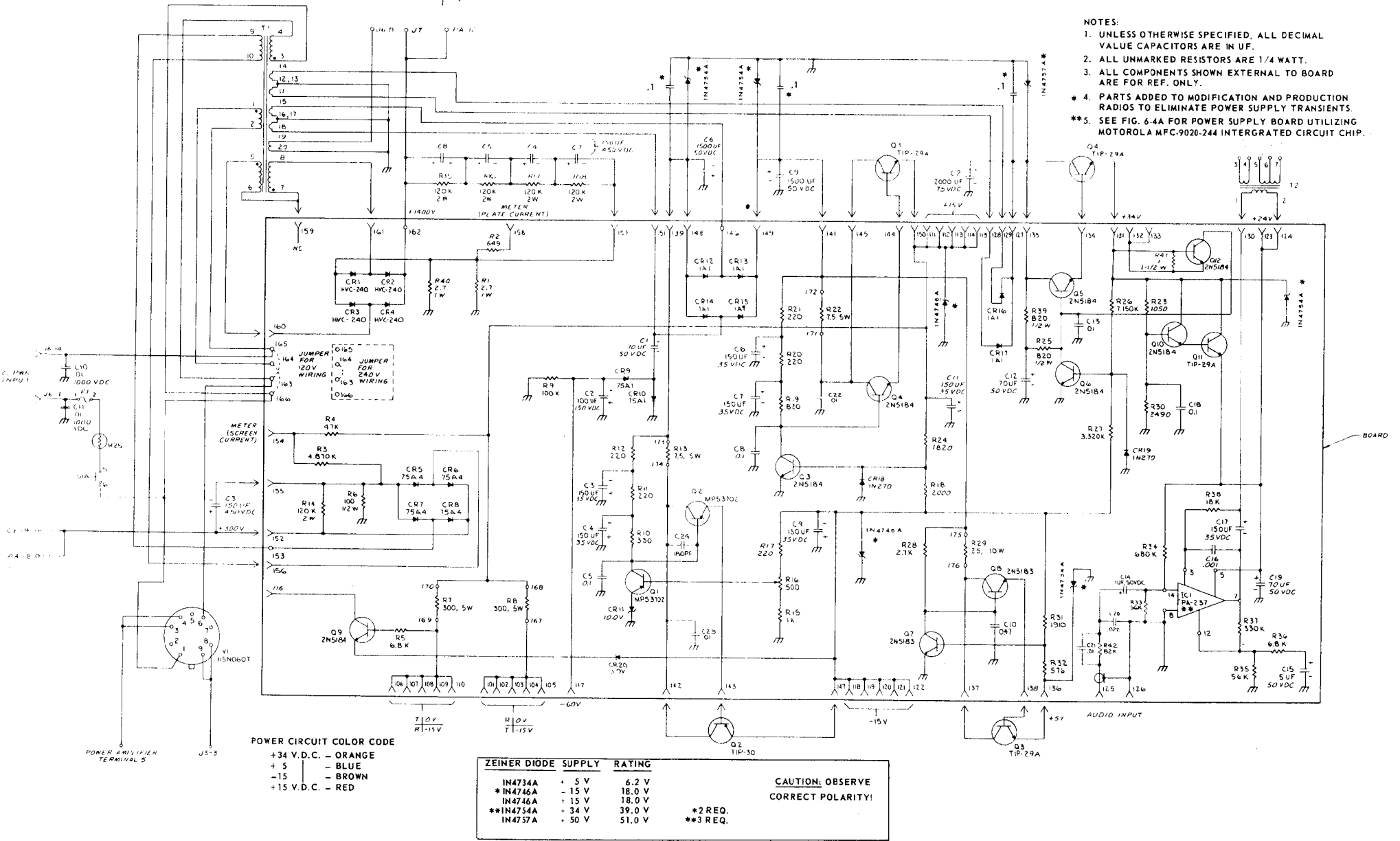
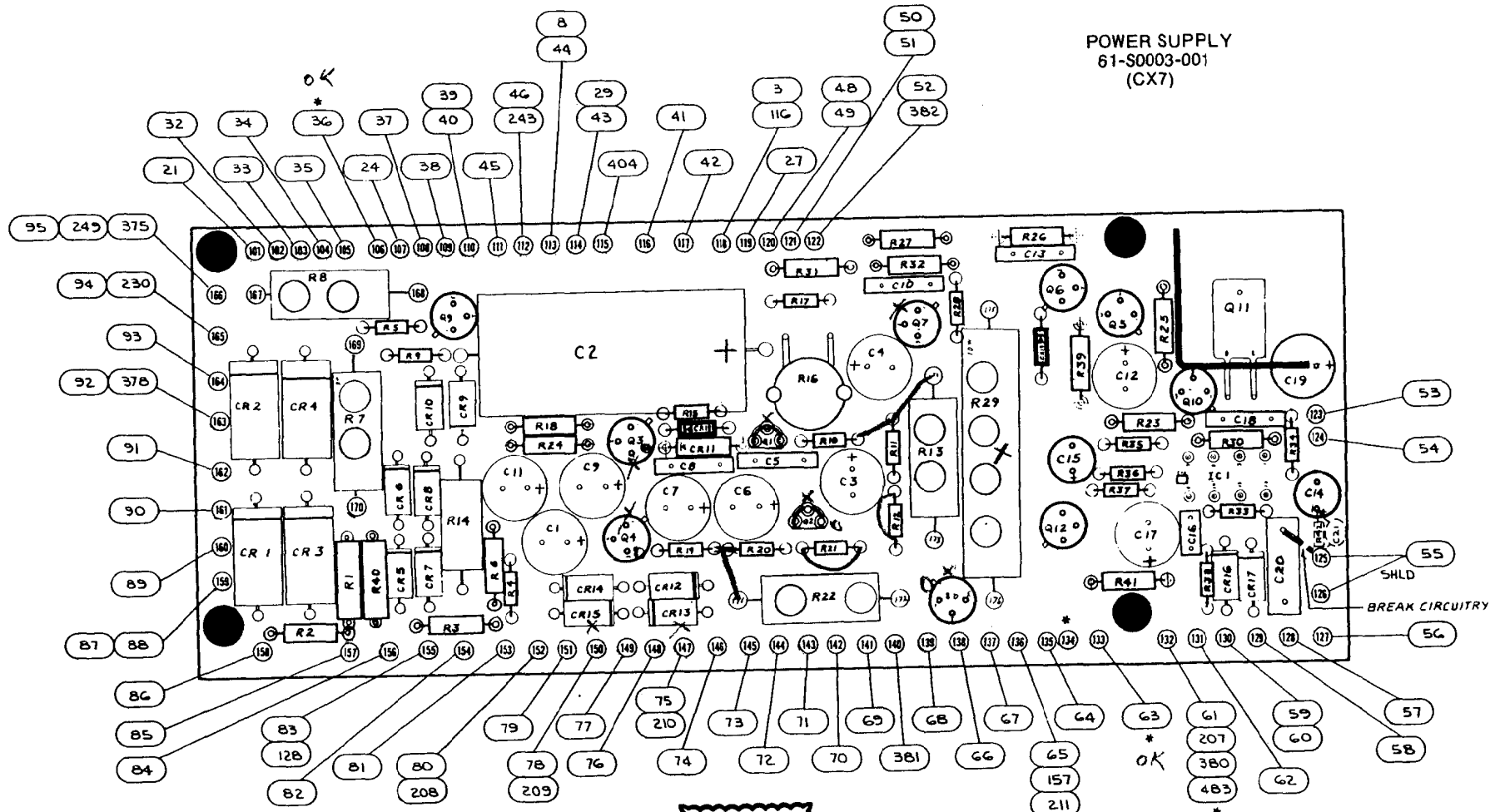


Figure 6-4. Power Supply Board A3 Schematic Diagram

POWER SUPPLY
61-S0003-001
(CX7)



CAUTION

* WHEN REPAIRING OR REPLACING THIS BOARD, PAY ATTENTION TO WIRE NUMBER AND TERMINAL ARRANGEMENT AS THEY MAY NOT AGREE WITH THIS DRAWING, PARTICULARLY CONNECTIONS TO PINS 106, 132, 133, 134.

Figure 4-5. Power Supply Board (Sheet 2 of 2)