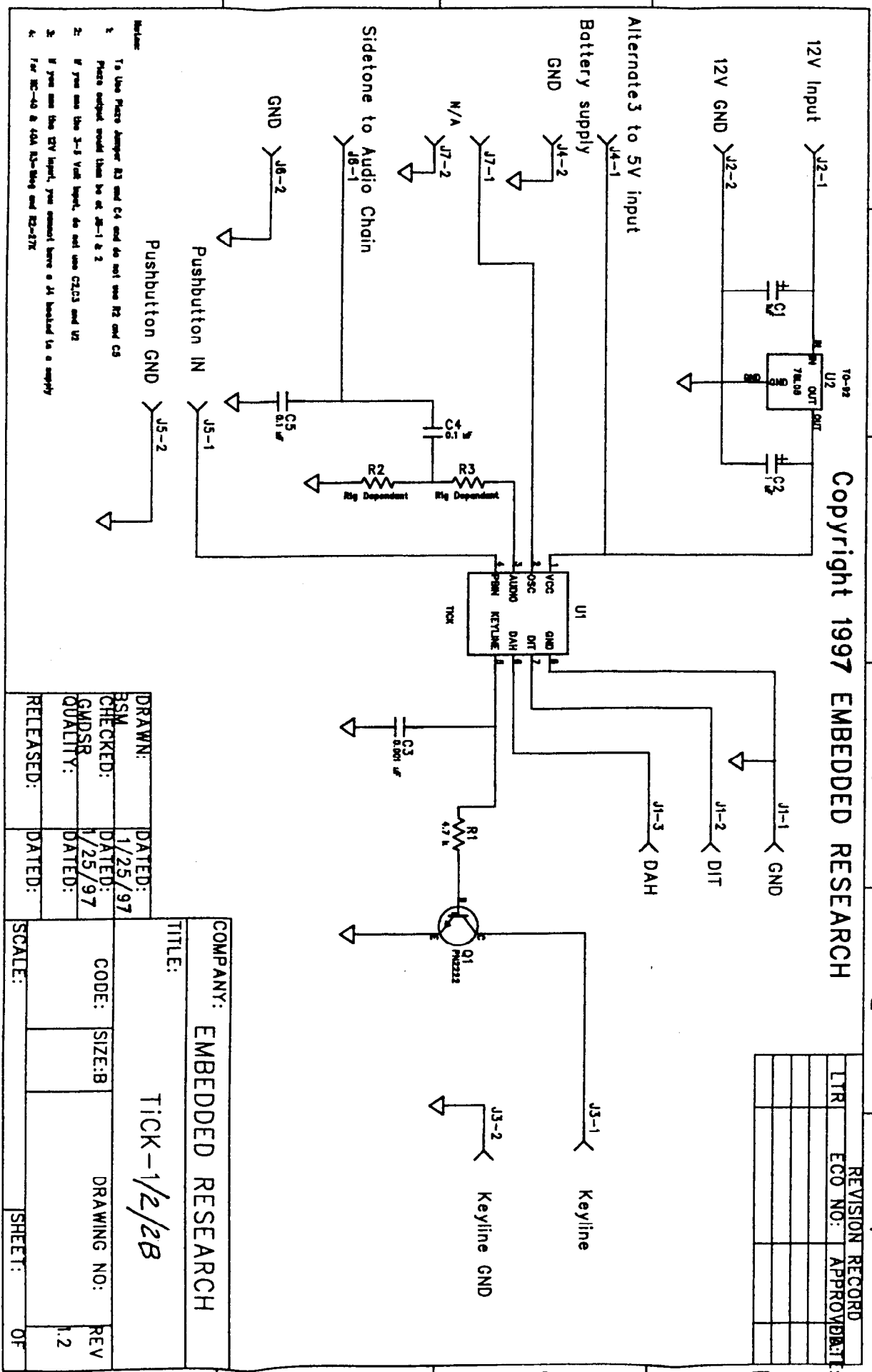


Copyright 1997 EMBEDDED RESEARCH

REVISION RECORD	
LTR	ECO NO: APPROV: DTT:



- Notes:
- To Use Pierce Amps R3 and C4 and do not use R2 and C3
 - Please output would then be at J6-1 & 2
 - If you use the 3-5 Volt Input, do not use C2,C3 and U2
 - If you use the 12V Input, you must have a 4k load to a supply

DRAWN:	DATED:
CSM	1/25/97
CHECKED:	DATED:
GMDSR	1/25/97
QUALITY:	DATED:
RELEASED:	DATED:

COMPANY: EMBEDDED RESEARCH	
TITLE: TICK-1/2/2B	
CODE:	SIZE: B
DRAWING NO:	REV
SCALE:	1.2
SHEET:	OF