

C I R INDUSTRIES, INC.

1648 NORTH MAGNOLIA AVENUE • EL CAJON, CALIFORNIA 92020
 (714) 449-7033 • TELEX 697-989

CIR POWER SUPPLY Model BPS-200 MODIFIED

SPECIFICATIONS

Input Power: 115/230 VAC $\pm 10\%$ (internal strapping).
 Input Frequency: 50/60 Hz.
 Input Fusing: 5 Amp 115 VAC & 3 Amp 230 VAC.
 Output: 13.6 VDC (internally adjustable) at 20 Amps.
 Duty Cycle: 10 Amps continuous with convection cooling.
 OVP \approx 16VOLTS 20 Amps 10 min., 2 Amps 5 min. repetitive
 OCP \approx 25AMPS cycle with convection cooling. 20 Amps
 continuous with small cooling fan.

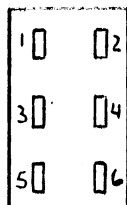
REGULATION

Type: ~~Remote sense leads, 4 wire system.~~
 Error: ± 200 MV; 0 to 20 Amps.

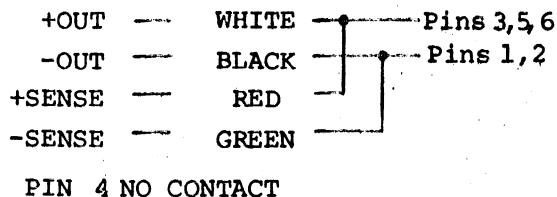
CONNECTIONS

Mains: Molded 3 wire U.S. standard plug with 5 foot cord.
 Output: 4 foot cable with mating connector (S306-CCT) wired to match CIR SSB Transceivers.

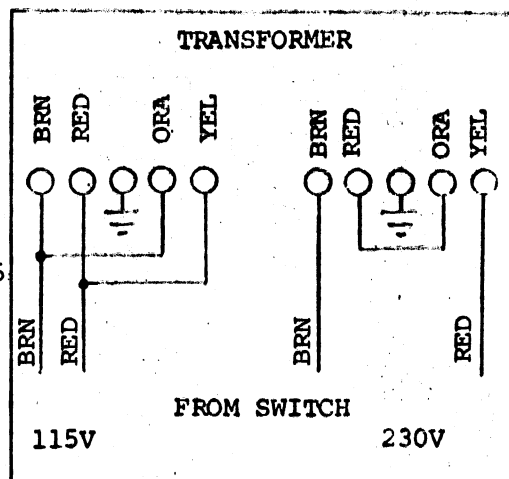
FRONT VIEW OF
 ON ASTRO
 PLUG CRASSIS.



REAR VIEW OF PWR SUP
 CABLE JACK.



OUTPUT CONNECTOR



115/230 VAC STRAPPING

